

Owners Manual



DESERT STRYKER
C O C K >> L O A D >> S Q U E E Z E >> G A M E O V E R

THANK YOU

Congratulations on being the proud new owner of the Desert Stryker Crossbow. The Stryker Crossbow is designed to be a safe and fun product. However, as with any shooting sports product, safety rules must be observed. Before using your new Stryker Crossbow, read and understand the material outlined in this manual. Failure to follow any of these warnings and instructions can damage the crossbow and may cause serious injury to yourself and/or others.

Keep the owner's manual in a safe place for future reference. If you have any questions, please call 888-689-1289.

WARNINGS AND PRECAUTIONS

ADULT SUPERVISION REQUIRED

ADULT SUPERVISION OF ALL CHILDREN UNDER THE AGE OF 18 IS REQUIRED. THE STRYKER CROSSBOW IS NOT RECOMMENDED FOR CHILDREN UNDER TWELVE (12) YEARS OF AGE.

Your new Desert Stryker Crossbow is a highly tuned, precise shooting machine. It requires special care and handling to achieve and maintain peak performance. The string, cables, and limbs are under extreme tension, which create an incredible source of energy that must not be taken for granted. Please respect this power and use it properly.

1. **Never allow your fingers or thumb to extend above the flight rail or into the release path of the string and cables. Doing so will cause personal injury upon firing the crossbow. Always keep fingers firmly on the stock forearm below the protective flange.**

TABLE OF CONTENTS

Warnings and Precautions . . .	1-2	Exclusions	5
Installing the Optional Scope . .	2	Turnaround Time	5
Parts List	3	Warranty Service	5
Exploded View	3	Disclaimer of Liability	6
Sighting the Optional Scope . .	4	String and Cables	6
Manual Draw	4	Care of String and Cables . .	7
Optional EZ ² Draw Cocking Aid .	4	Crossbow Maintenance	
Loading a Bolt	4	& Troubleshooting	7
Firing the Stryker	4-5	Notes	8
Limited Lifetime Warranty . . .	5-6	Purchase Records	8

2. **The Desert Stryker Crossbow is not a toy.** Misuse or careless use may result in serious injury or death. For maximum safety and enjoyment, always exercise caution, common sense, and safety rules when shooting any crossbow.

3. **Never aim or draw any crossbow in the direction of a person.** Aim and draw ONLY in the direction of an appropriate target. ALWAYS have a full view of the path to the target and beyond when shooting.

4. **ALWAYS use an appropriate backstop for maximum safety.** An appropriate backstop must be constructed of a durable material and must extend beyond the perimeter of the target. The recommended backstop size is determined by the accuracy and ability of the shooter. The lower the level of accuracy, the larger the perimeter required.

5. **Never play with your Desert Stryker Crossbow.** It is a potentially dangerous weapon that can cause serious harm or death.

WARNINGS AND PRECAUTIONS CONT.

6. **Never rely on a "safety" to protect you from unsafe handling.** A safety is a mechanical device, not a substitute for common sense and good safety procedures.
7. **Never leave a Stryker Crossbow unattended** or where it could fail and fire.
8. Check your target and beyond your target. Be sure all persons are well clear of the target area before you shoot. Check behind and beyond your target to be certain you have a safe backstop and that no person or property could be endangered.
9. Always inspect bolts and fletching prior to shooting for imperfections such as cracks, splits, or splinters. Damaged bolts must not be used and should be destroyed.
10. Never retrieve bolts or allow anyone else to do so until all bolts have been shot.
11. **Never remove the foot stirrup.**
12. Learn how to handle, load, unload, operate, fire and care for your Stryker Crossbow.
13. Keep your finger off the trigger until you are actually aiming at the target and ready to shoot.
14. Avoid ricochet. Never shoot at a flat hard surface or at the surface of water. Bolts can ricochet off of water just like a skipped rock.
15. Keep the rail clear. Never let anything obstruct the rail of your crossbow.

16. Store the crossbow and bolts separately beyond the reach of children. Make sure the crossbow and bolts are locked and secured so children and untrained individuals will be denied access.

17. Lead-off shots should be taken at closer ranges until the shooter is more accurate and comfortable at longer distances.

18. Do not attach anything to the cables or string that could cause them to wear or become cut. This will void the warranty.

19. Do not, under any circumstances, change a cam bearing yourself. Any resulting damage would void the warranty. See an Authorized Stryker Dealer for proper repair and/or replacement.

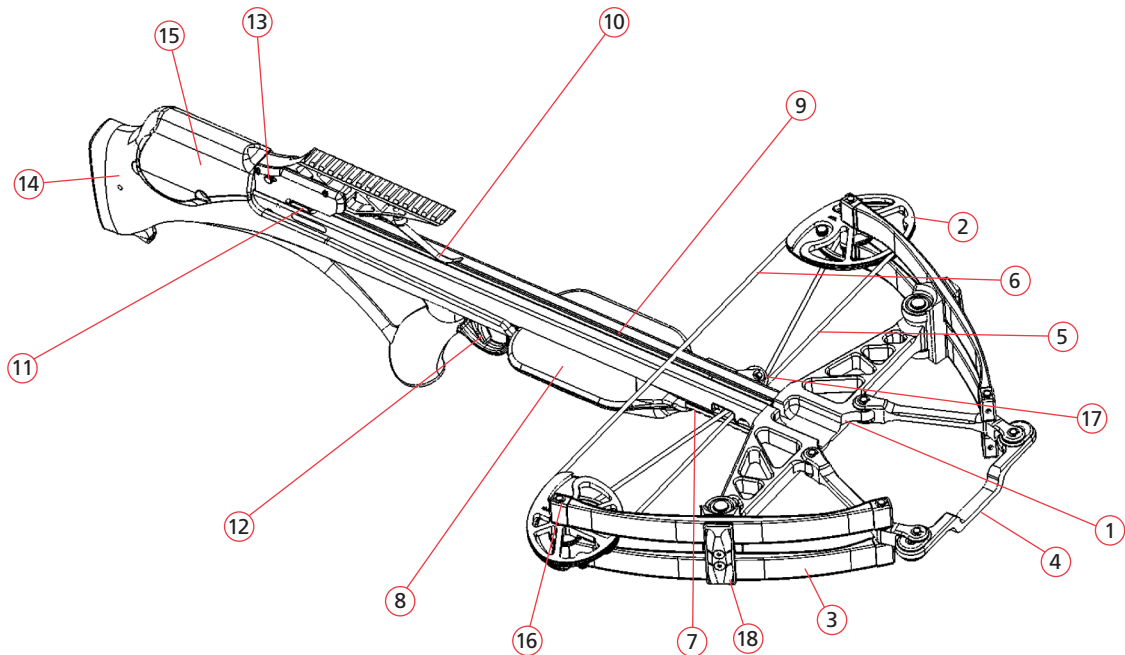
INSTALLING THE OPTIONAL SCOPE

Follow these steps to correctly mount the scope to your crossbow:

1. Position the scope (7) on top of the crossbow's elevated scope mount rail so the screw holes from the scope are aligned with the holes on the rail.
2. Using manual pressure, tighten the two thumbscrews from the scope to secure the scope to the rail.

DESERT STAYHER PARTS LIST

1. Riser
2. Cams
3. Split Limbs
4. Foot Stirrup
5. Cables
6. String
7. Weaver Mount Rail
8. Foregrip
9. Rail
10. Bolt Hold Down Spring
11. Bolt Sensor
12. Trigger
13. Safety Button
14. Stock
15. Cheek Plate
16. Press Pulley
17. Cable Rollers
18. Center Pivot



SIGHTING THE OPTIONAL SCOPE



The standard targeting scope uses three reticle red dots to represent distances of 20, 40, and 60 yards. Two calibrated screws on the scope allow you to adjust sighting. The top screw adjusts horizontally (windage); the side screw adjusts vertically (elevation).

1. Remove the protective cap from either sighting screw.
2. Use a small screwdriver to turn the screw in appropriate direction.

MANUAL DRAW

Place the arch of foot in bow stirrup. Using both hands firmly grasp close to the center of the string and draw the string back until you hear it click firmly in place.

OPTIONAL EZ²DRAW COCKING AID

The EZ²Draw cocking aid reduces pull by 50% for effortless loading.

1. Attach the trunion loops to each side of the stock (figure 1).
2. With the handles out, align the cocker body with the guide notch into the string track (figure 2). Push the guide down the track until the string track snaps behind the guide.
3. Place arch of foot in stirrup, and using both hands and foot, draw the string up until it clicks in place. (figure 3)



Figure 1



Figure 2



Figure 3

4. To remove the EZ²Draw, using your thumbs simply push the pulley off of the string, then remove loops from trunions.

LOADING A BOLT

Always be sure to check moon nocks to ensure there are no cracks or damaged edges, as it may result in string damage or failure.

Load a bolt with the cock vane down and inside the rail track. Be sure the bolt is flush against the hold down spring (10), and then slide the bolt under the hold down spring and under the bolt sensor (11).

Note: Confirm that the bolt is properly seated by continuing to apply pressure towards the housing until you feel the bolt snap firmly into place.

FIRING THE STRYKER

1. After a bolt is properly loaded, push the safety button (16) forward until it clicks.

NOTE: As a precaution, the safety button cannot be pushed unless the crossbow is fully cocked.

NOTE: The safety button is installed on the right side of the trigger housing plate at the factory. If you prefer, it can be unscrewed and mounted on to the left side of the trigger housing plate.

2. You are now ready to fire.

LIMITED LIFETIME WARRANTY

Stryker warrants the Stryker Crossbow with a Limited Lifetime Warranty to the original owner with the following exclusions.

EXCLUSIONS

Original Owner. Warranty applies to the original owner only and is non-transferable.

Components Not Covered. Cables, strings, wheel bushings, bearings, anodized and/or pattern finishes are not included in warranty.

Damage Not Covered. Damage caused by abuse, mishandling, drying, alteration or modification to original product, may render the warranty void.

Warranty Card. For the Warranty to be in effect, the Warranty card must be completed and properly returned to Stryker, with a copy of the purchase receipt, within 30 days of purchase.

Authorized Dealer. The Warranty covers only Stryker Crossbows purchased from Authorized Dealers. Contact Stryker to confirm that the person you are buying from is an authorized dealer.

TURNAROUND TIME

Our goal at Stryker with all warranty returns is to have the returned product out the door and shipped on it's way back to you within 72

hours of receiving it at our facility. You are our greatest asset and we will give you the highest quality, most efficient service in the industry.

WARRANTY SERVICE

All products returned for warranty service should be returned to the dealer first for inspection and determination of any problem. Your authorized dealer representative will help you determine if factory service is required or if they can repair the problem. The Stryker owner is responsible for the freight to Stryker, and Stryker will in turn, pay for the return freight of the repaired product. In the event that a crossbow must be returned for factory service, a Return Authorization (RA) number must first be obtained through your authorized dealer.

Crossbows returned to the factory without an RA number will be refused. All crossbows must include the following:

- » A large, readable RA number on the outside of the box.
- » A copy of the original sales receipt.
- » Must be sent freight prepaid. No COD shipments will be accepted.
- » Do not include accessories unless otherwise instructed. Stryker will not be responsible for loss or damage to any accessory left on the crossbow when shipped.
- » All methods of shipping by UPS or Federal Express only. Sender should insure all shipments.
- » If your crossbow cannot be repaired, we reserve the right to replace your crossbow with a newer model.
- » Stryker reserves the right to make parts substitutions on warranty coverage at Stryker's sole discretion and for any reason.

Any alteration from the factory specifications or the adjustments outlined herein will void the factory warranty. ALL maintenance must be performed at an Authorized Stryker Dealer.

DISCLAIMER OF LIABILITY

By accepting a Stryker product, buyer agrees to hold harmless Stryker and all associated parties from liability for any damage to persons or property, which may result, for any reason, from the use of this product.

If you have any questions about the safety or use of any Stryker product, contact an Authorized Stryker Dealer or call Stryker direct at (541) 888-689-1289.

STRING AND CABLES

Your Stryker package includes a new replacement string and a string changing harness. They are manufactured to provide long string life and absolute consistency, shot after shot when properly maintained.

CHECK YOUR STRING

If the crossbow cannot be safely drawn back and is not shootable due to a worn, cut or frayed string, DO NOT ATTEMPT TO REPLACE THE STRING. Take your crossbow to your Authorized Stryker Dealer who can perform the replacement in a safe environment.

WARNING: Never attempt to replace the cables yourself. Consult your Authorized Stryker Dealer who is trained to perform the cable replacement procedure.

CARE OF STRINGS AND CABLES

Wax the string often. We recommend BCYML 6 synthetic string wax or an equivalent product. To wax the string, apply wax liberally to entire length of string. Rub briskly with fingers until the string appears slick. Remove all excess wax with a clean cloth.

CROSSBOW MAINTENANCE & TROUBLESHOOTING

- Examine your crossbow for wear and tear before you shoot (axles, bushings, cables, cable slide, e-clips, and string). If any one of these items shows excessive wear, contact your Authorized Stryker Dealer for authorized repair or return authorization (RA) number if necessary. This keeps your crossbow shooting consistently without voiding your warranty.
- Keep your Stryker in a dry environment and be sure to keep it lubricated. Proper lubrication of the axles, bearings, and chain limits wear and tear. Add enough lubricant to these areas to create a barrier between each working part and to optimize the performance of the crossbow. NOTE: A 10- to 15-weight oil is recommended. DO NOT USE WD-40.
- Rail lubrication. It is recommended to occasionally apply a light coating of string wax or silicone lube to the top of the flight rail. This will keep your crossbow operating smoothly and free from rust.
- Any accessories added to the bowstring cause the crossbow to lose speed.

If you need assistance with setting up, tuning, or solving a bolt flight problem, contact your Authorized Stryker Dealer.

NOTES

SERIAL NUMBER: _____

DATE PURCHASED: _____

AUTHORIZED DEALER: _____

STRYKER™

STRYKER MANUFACTURING
25310 JEANS ROAD
VENETA, OR 97487
888-689-1289

